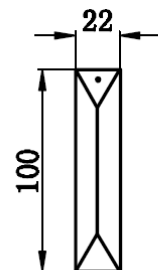
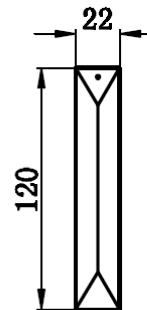
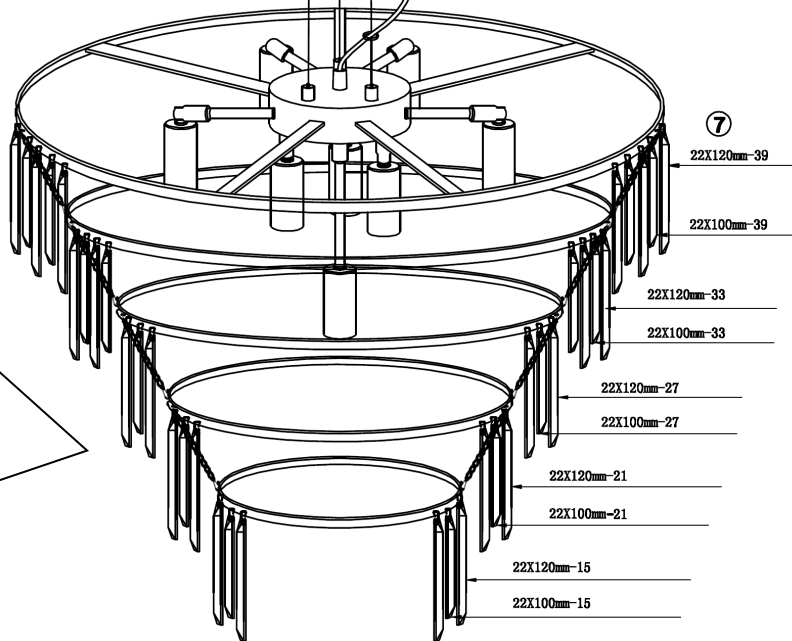
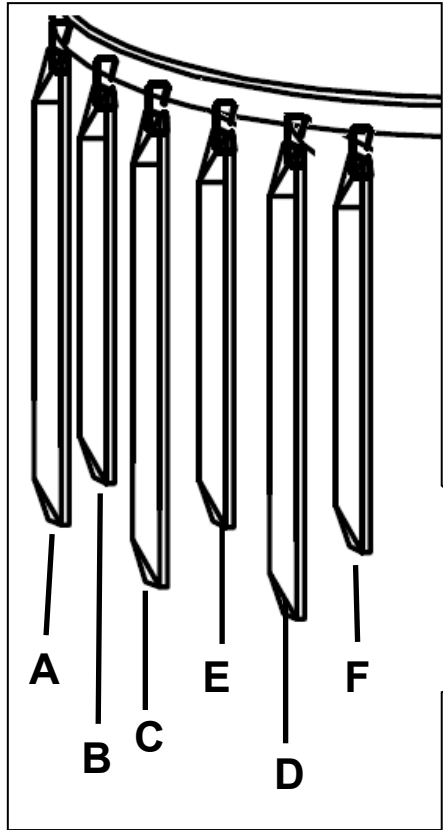


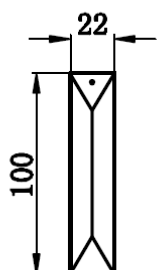
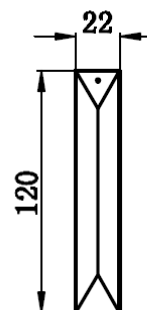
Ⓐ Smoky Grey 45X

Ⓑ Amber Color 45X



Ⓒ Transparent Color 45X

Ⓓ Smoky Grey 45X



Ⓔ Amber Color 45X

Ⓕ Transparent Color 45X